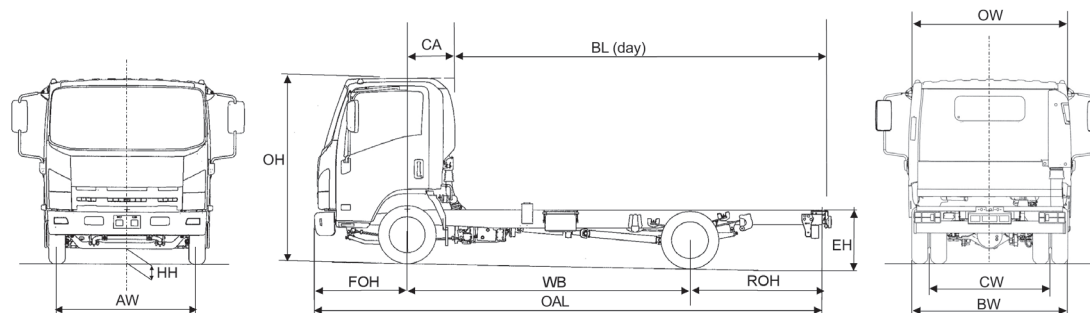
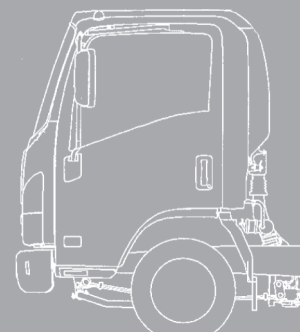


## ISUZU 'FORWARD' N65.150

## 6.5T GVW

(Manual transmission) 4x2 rigid chassis/cab

EURO VI

UK Standard vehicle  
plated weights (kg)

GVW	6500
GTW	10000

## UK Axle design weights (kg)

Front	3100
Rear	4600

## Weights (kg)

Cab type		day	day
Wheelbase	WB	3395	3845
Vehicle Mass Unladen	Front	1630	1650
	Rear	845	860
<b>Total</b>		<b>2475</b>	<b>2510</b>
GVW		6500	6500
Max. Permissible Trailer Weight		3500	3500
Body & Payload Allowance		4025	3990

## Dimensions (mm)

Overall Length	OAL	6100	6750
Overhang - Front	FOH	1110	1110
Overhang - Rear	ROH	1595	1795
Cab Gap	CB	157	157
C/L Front Axle to Rear of Cab	CA	573	573
Recommended Body Length	BL	4267	4876
Chassis Frame Width		750	750
Recommended Body Width		2286	2286
Recommended Maximum Body Width		2387*	2387*
Cab Width	OW	2040	2040
Overall Height (Unladen)	OH	2250	2250
Chassis Height (Unladen)	EH	765	760
Minimum Road Clearance	HH	190	190
Track - Front	AW	1680	1680
Track - Rear	CW	1525	1525
Rear Axle Width	BW	1985	1985

\* Wide mirror arms apply at extra cost

1. Unladen weights excludes driver, fuel, Ad Blue. Includes spare wheel + carrier (Tolerance  $\pm$  3%).
2. Body lengths are given as a guide only. Bodybuilders are responsible for ensuring all legal requirements are met.
3. Maximum body lengths are calculated to remain within the maximum permitted overhang in the UK of 60% of the wheelbase. Cab gaps may vary.
4. Isuzu Truck (UK) Ltd. shall have no liability whatsoever should the information supplied have incorrect data, descriptions or illustrations.

## ISUZU 'FORWARD' N65.150

## 6.5T GWV

(Manual transmission) 4x2 rigid chassis/cab

EURO VI



## Mechanical Specification (standard equipment)

**Engine 4JJ1TC**

Isuzu turbo intercooled  
4 cylinder diesel DOHC  
(Euro VI)  
Bore: 95.4mm  
Stroke: 104.9mm  
Capacity: 2999cc  
Max Power: 110kW  
(150 PS) at 2800rpm  
Max Torque: 375Nm  
between 1600-2800rpm  
Injection Type: Common  
rail  
Euro VI Compliance:  
EGR (Exhaust Gas  
Recirculation) with DPD  
(Diesel Particulate Diffuser)  
SCR Adblue and OBD

**Fuel Tank**

Capacity: 92 litres  
Ad Blue: 16 litres

**Transmission**

6-speed manual  
synchromesh MYY6S  
overdrive

Ratios:	1st	5.979
	2nd	3.434
	3rd	1.862
	4th	1.297
	5th	1.000
	6th	0.759
	reverse	5.701

Rear Axle Ratio: 4.556:1

Tyres: 215/75 17.15 radial  
Wheels: 6.00J x 17.5,  
6-stud

**Cab Exterior**

Aerodynamic Isuzu  
Hexapod design white all-  
steel cab with roof outline  
markers  
Manual tilt to 45 deg.  
Chrome radiator grille  
Laminated windscreen  
Plastic resin non-slip entry  
steps  
90 deg. opening doors  
Zinc galvanised frame  
structure  
Steel reinforced composite  
front bumper with fog and  
daytime running lamps  
2 halogen headlamps with  
indicators  
Front mudguards with  
spray suppression  
Keyless door entry and  
immobiliser

**Frame**

Parallel ladder type  
channel section straight  
side rails, riveted upper  
flange

**Cooling**

Radiator: Tube and fin type  
with fan and viscous clutch  
Frame mounted fuel cooler

**Clutch**

300mm diaphragm type  
with hydraulic actuation

**Cab Interior**

Flame-resistant interior  
trim  
Vinyl floor matting  
Pillar mounted entrance  
grab handles both sides  
SRS airbags driver and  
passenger

**Seats (all cloth)**

Driver's fully adjustable  
suspension seat with head  
restraint  
Dual passenger seat,  
folding back centre with  
tray  
Driver and outer passenger  
retractable diagonal seat  
belts, with pre-tensioner  
Centre seat lap belt

**Vision**

Large foldable mirrors  
Interior rear view mirror on  
collapsible mounting  
Driver and passenger sun  
visors  
Deep cut side windows to  
reduce blind spots  
Electric windows with  
driver control and lock

**Heating & Ventilation**

4-speed blower  
Multiple cab vents

**Axles**

Front: Reverse Elliott  
I-Beam  
Rear: Banjo fully floating

**Suspension**

Front: Semi-elliptical alloy  
steel leaf springs with  
hydraulic shock absorbers  
and anti-roll bar

Rear: Semi-elliptical alloy  
steel leaf springs with  
hydraulic shock absorbers  
and anti roll bar

**Steering**

Recirculating ball type  
with full integral hydraulic  
power assistance  
Tilt and telescopic steering  
column

**Brakes**

System: ABS power  
assisted divided  
hydraulic, Vacuum Servo  
with electronic brake  
distribution and anti-slip  
regulation  
Electronic vehicle stability  
control  
Front: 293mm ventilated  
discs with asbestos-free  
pads  
Rear: 293mm ventilated  
discs with asbestos-free  
pads  
Park: Mechanical drum  
brake rear of transmission

**Instruments**

Speedometer with  
odometer & trip  
Rev counter  
Fuel gauge  
Engine coolant  
temperature  
Multi information display  
provides information on  
servicing, emissions and  
fuel economy  
Digital tachograph

**Switches & Electrical**

Steering column mounted  
combination switch for  
indicators, headlamps (high  
beam), front and rear fog  
lights  
Wiper and washer (2-speed  
and intermittent)  
Steering wheel horn  
Engine idle control  
Hazard lights  
Headlamp levelling  
Interior light  
Key operation for quick  
cold start, start and stop  
Engine quick warm-up  
Cigarette lighter  
Central locking

Reverse warning  
DPD engage  
EVSC off  
ASR off  
Exhaust brake  
Heater stage  
Electronic vehicle speed  
limiter set at 56mph  
(90kph)

**Warning /Indicator Lamps**

Battery charge  
Oil pressure  
Low fuel  
Glow plug operation  
High beam and indicators  
Parking brake on  
Fuel/water separator  
Check engine  
DPD operation  
Engine over heat  
EVSC  
ABS  
SRS air bag  
Exhaust brake operation  
Front and rear fog  
SVS  
Seat belt  
Brake system  
Brake vacuum loss

**Tool Kit**

Jack, with a small  
selection of hand tools

**Radio**

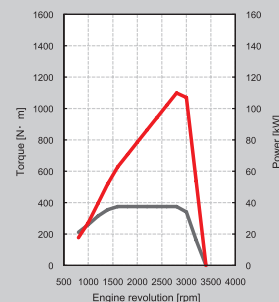
Radio with CD player

**Storage Space**

Compartment box  
Centre console tray  
Door pockets  
Centre facia pocket  
Overhead roof shelves  
Storage bin (behind seats)  
Card holder

**Ancillaries**

Starter: Reduction type 24 V  
- 4.0kW  
Alternator: 24 V - 50 Amp  
Quick Start: 4 glow plugs  
on start relay  
Battery: 2 x 12 V - 75 AH  
(maintenance free)

**The following optional items are available:**

- Isuzu Branded Mats
- Aerodynamic Body Kits
- Satellite Navigation
- Reversing Aids
- PTO Switch
- Telematics

For further information  
please contact your local  
dealer, ring us directly on

**01707 28 29 30**

or visit our website

[www.isuzutruck.co.uk](http://www.isuzutruck.co.uk)

**Isuzu Truck (UK) Ltd,**  
Isuzu House, 164 Great  
North Road, Hatfield,  
Hertfordshire AL9 5JN

**ISUZU**