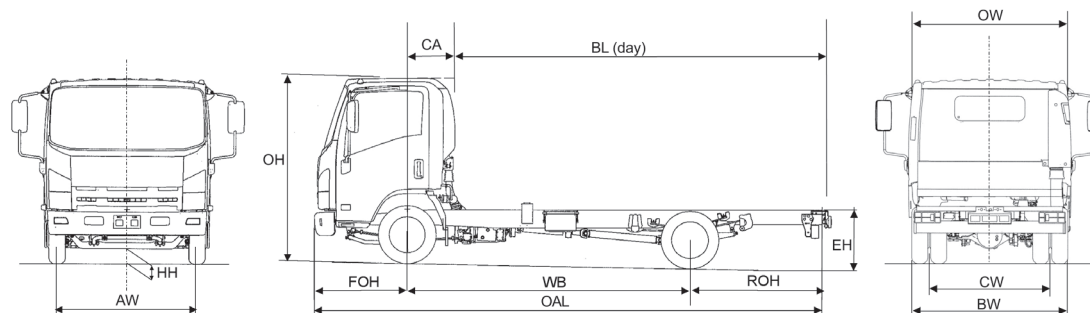


## ISUZU 'FORWARD' N65.150(E)

## 6.5T GVW

(Easyshift transmission) 4x2 rigid chassis/cab

EURO VI

UK Standard vehicle  
plated weights (kg)

GVW	6500
GTW	10000

## UK Axle design weights (kg)

Front	3100
Rear	4600

## Weights (kg)

Cab type		day	day
Wheelbase	WB	3395	3845
Vehicle Mass Unladen	Front	1650	1670
	Rear	840	860
<b>Total</b>		<b>2490</b>	<b>2530</b>
GVW		6500	6500
Max. Permissible Trailer Weight		3500	3500
Body & Payload Allowance		4010	3970

## Dimensions (mm)

Overall Length	OAL	6100	6750
Overhang - Front	FOH	1110	1110
Overhang - Rear	ROH	1595	1790
Cab Gap	CB	157	157
C/L Front Axle to Rear of Cab	CA	573	573
Recommended Body Length	BL	4267	4876
Chassis Frame Width		750	750
Recommended Body Width		2286	2286
Recommended Maximum Body Width		2387*	2387*
Cab Width	OW	2040	2040
Overall Height (Unladen)	OH	2250	2250
Chassis Height (Unladen)	EH	765	760
Minimum Road Clearance	HH	190	190
Track - Front	AW	1680	1680
Track - Rear	CW	1525	1525
Rear Axle Width	BW	1985	1985

\* Wide mirror arms apply at extra cost

1. Unladen weights excludes driver, fuel, Ad Blue. Includes spare wheel + carrier (Tolerance  $\pm 3\%$ ).
2. Body lengths are given as a guide only. Bodybuilders are responsible for ensuring all legal requirements are met.
3. Maximum body lengths are calculated to remain within the maximum permitted overhang in the UK of 60% of the wheelbase. Cab gaps may vary.
4. Isuzu Truck (UK) Ltd. shall have no liability whatsoever should the information supplied have incorrect data, descriptions or illustrations.

## ISUZU 'FORWARD' N65.150(E)

## 6.5T GWV

(Easyshift transmission) 4x2 rigid chassis/cab

EURO VI



## Mechanical Specification (standard equipment)

**Engine 4JJ1TC**

Isuzu turbo intercooled 4 cylinder diesel DOHC (Euro VI)

Bore: 95.4mm

Stroke: 104.9mm

Capacity: 2999cc

Max Power: 110kW (150 PS) at 2800rpm

Max Torque: 375Nm between 1600-2800rpm

Injection Type: Common rail  
Euro VI Compliance: EGR (Exhaust Gas Recirculation) with DPD (Diesel Particulate Diffuser) SCR Adblue and OBD

**Fuel Tank**

Capacity: 92 litres

Ad Blue: 16 litres

**Transmission**

Electro hydraulic controlled 6-speed MYY6S with fully automatic and sequential shift modes

Ratios: 1st	5.979
2nd	3.434
3rd	1.862
4th	1.297
5th	1.000
6th	0.759
reverse	5.701

Rear Axle Ratio: 4.556:1

Tyres: 215/75 17.15 radial

Wheels: 6.00J x 17.5, 6-stud

**Cab Exterior**

Aerodynamic Isuzu

Hexapod design white all-steel with roof outline markers

Manual tilt to 45 deg.

Chrome radiator grille

Laminated windscreen

Plastic resin non-slip entry steps

90 deg. opening doors

Zinc galvanised frame structure

Steel reinforced composite

front bumper with fog and

daytime running lamps

2 halogen headlamps with indicators

Front mudguards with

spray suppression

Keyless door entry and

immobiliser

**Frame**

Parallel ladder type channel section straight side rails, riveted upper flange

**Cooling**

Radiator: Tube and fin type with fan and viscous clutch  
Frame mounted fuel cooler

**Clutch**

Fluid hydrokinetic coupling with lock up clutch

**Cab Interior**

Flame-resistant interior trim

Vinyl floor matting

Pillar mounted entrance

grab handles both sides

SRS airbags driver and

passenger

**Seats (all cloth)**

Driver's fully adjustable suspension seat with head restraint

Dual passenger seat, folding back centre with tray

Driver and outer passenger

retractable diagonal seat

belts, with pre-tensioner

Centre seat lap belt

**Vision**

Large foldable mirrors

Interior rear view mirror on

collapsible mounting

Driver and passenger sun

visors

Deep cut side windows to

reduce blind spots

Electric windows with

driver control and lock

**Heating & Ventilation**

4-speed blower

Multiple cab vents

**Axles**

Front: Reverse Elliott

I-Beam

Rear: Banjo fully floating

**Suspension**

Front: Semi-elliptical alloy steel leaf springs with hydraulic shock absorbers and anti-roll bar

Rear: Semi-elliptical alloy steel leaf springs with hydraulic shock absorbers and anti roll bar

**Steering**

Recirculating ball type with full integral hydraulic power assistance

Tilt and telescopic steering column

**Brakes**

System: ABS power assisted divided

hydraulic, Vacuum Servo with electronic brake distribution and anti-slip regulation

Electronic vehicle stability control

Front: 293mm ventilated discs with asbestos-free pads

Rear: 293mm ventilated discs with asbestos-free pads

Park: Mechanical drum brake rear of transmission

**Instruments**

Speedometer with

odometer & trip

Rev counter

Fuel gauge

Engine coolant

temperature

Gearshift indicator display

Multi information display

provides information on

servicing, emissions and

fuel economy

Digital tachograph

**Switches & Electrical**

Steering column mounted

combination switch for

indicators, headlamps (high

beam), front and rear fog

lights

Wiper and washer (2-speed

and intermittent)

Steering wheel horn

Engine idle control

Hazard lights

Headlamp levelling

Interior light

Key operation for quick

cold start, start and stop

Engine quick warm-up

Cigarette lighter

Central locking

Reverse warning

DPD engage

EVSC off

ASR off

Exhaust brake

Heater stage

Easyshift gearbox

emergency override

Gearbox engage drive fast/

slow

Electronic vehicle speed

limiter set at 56mph

(90kph)

**Warning /Indicator Lamps**

Battery charge

Oil pressure

Low fuel

Glow plug operation

High beam and indicators

Parking brake on

Fuel/water separator

Check engine

DPD operation

Engine over heat

EVSC

ABS

SRS air bag

Front and rear fog

SVS

ECONO mode

1st gear start

Exhaust brake operation

Seat belt

Brake system

Brake vacuum loss

**Tool Kit**

Jack, with a small

selection of hand tools

**Radio**

Radio/CD Player package

**Storage Space**

Compartment box

Centre console tray

Door pockets

Centre fascia pocket

Overhead roof shelves

Storage bin (behind seats)

Card holder

**Ancillaries**

Starter: Reduction type 24 V

- 4.0kW

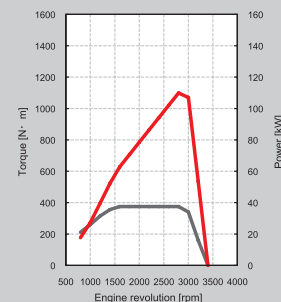
Alternator: 24 V - 50 Amp

Quick Start: 4 glow plugs

on start relay

Battery: 2 x 12 V - 75 AH

(maintenance free)

**The following optional items are available:**

- Isuzu Branded Mats
- Aerodynamic Body Kits
- Satellite Navigation
- Reversing Aids
- PTO Switch
- Telematics

For further information please contact your local dealer, ring us directly on

**01707 28 29 30**

or visit our website

[www.isuzutruck.co.uk](http://www.isuzutruck.co.uk)

**Isuzu Truck (UK) Ltd,**  
Isuzu House, 164 Great North Road, Hatfield, Hertfordshire AL9 5JN

**ISUZU**