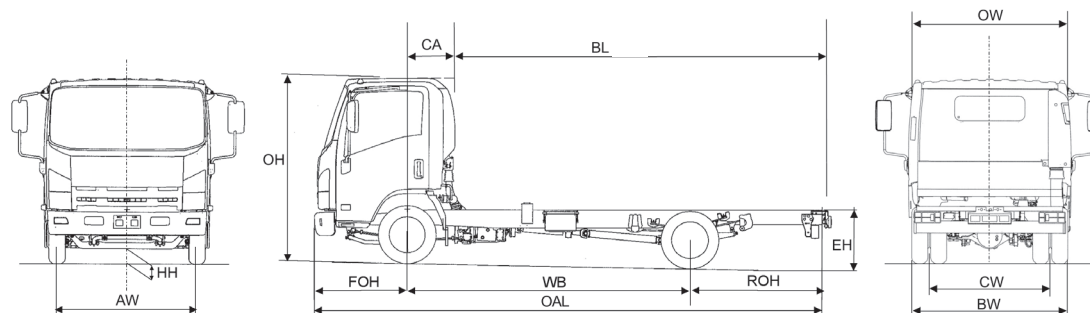


ISUZU 'FORWARD' N55.150(N)

5.5T GVW

(Manual transmission) 4x2 rigid chassis with narrow cab

EURO VI



UK Standard vehicle plated weights (kg)

GVW	5500
GTW	9000

UK Axle design weights (kg)

Front	2100
Rear	3600

Weights (kg)

Cab type		day
Wheelbase	WB	3350
Vehicle Mass Unladen	Front	1560
	Rear	720
Total		2280
GVW		5500
Max. Permissible Trailer Weight		3500
Body & Payload Allowance		3220

Dimensions (mm)

Overall Length	OAL	6025
Overhang - Front	FOH	1110
Overhang - Rear	ROH	1595
Cab Gap	CB	157
C/L Front Axle to Rear of Cab	CA	463
Recommended Body Length	BL	4267
Chassis Frame Width		700
Recommended Body Width		2000
Recommended Maximum Body Width		2315*
Cab Width	OW	1770
Overall Height (Unladen)	OH	2150
Chassis Height (Unladen)	EH	730
Minimum Road Clearance	HH	160
Track - Front	AW	1475
Track - Rear	CW	1425
Rear Axle Width	BW	1855

* Wide mirror arms apply at extra cost

1. Unladen weights excludes driver, fuel, AdBlue. Includes spare wheel + carrier (Tolerance $\pm 3\%$).
2. Body lengths are given as a guide only. Bodybuilders are responsible for ensuring all legal requirements are met.
3. Maximum body lengths are calculated to remain within the maximum permitted overhang in the UK of 60% of the wheelbase. Cab gaps may vary.
4. Isuzu Truck (UK) Ltd. shall have no liability whatsoever should the information supplied have incorrect data, descriptions or illustrations.

ISUZU

ISUZU 'FORWARD' N55.150(N)

5.5T GWV

(Manual transmission) 4x2 rigid chassis with narrow cab

EURO VI



Mechanical Specification (standard equipment)

Engine 4JJ1TC

Isuzu turbo intercooled
4 cylinder diesel DOHC
(Euro VI)
Bore: 95.4mm
Stroke: 104.9mm
Capacity: 2999cc
Max Power: 110kW
(150 PS) at 2800rpm
Max Torque: 375Nm
between 1600-2800rpm
Injection Type: Common
rail

Euro VI Compliance:

EGR (Exhaust Gas
Recirculation) with
DPD (Diesel Particulate
Diffuser) SCR Adblue and
OBD

Fuel Tank

Capacity: 92 litres

Transmission

5-speed synchromesh
MYY5T overdrive

Ratios: 1st	5.315:1
2nd	2.908
3rd	1.558
4th	1.000:1
5th	0.721:1
reverse	5.068:1

Rear Axle Ratio: 4.30:1

Tyres: 205/75 R16C radial
Wheels: 5.50J x 16, 5-stud

Cab Exterior

Aerodynamic Isuzu
Hexapod design white all-
steel cab with roof outline
markers
Manual tilt to 45 deg.
Chrome radiator grille
Laminated windscreen
Plastic resin non-slip
entry steps
90 deg. opening cab
doors
Zinc galvanised cab frame
structure
Steel reinforced
composite front bumper
with fog and daytime
running lamps
2 flush mounted halogen
headlamps with indicators
Front tyre mudguards
with spray suppression
Keyless door entry and
immobiliser

Frame

Parallel ladder type
channel section straight
side rails, riveted upper
flange

Cooling

Radiator: Tube and fin
type with fan and viscous
clutch
Frame mounted fuel
cooler

Clutch

300mm diaphragm type
with hydraulic actuation

Cab Interior

Flame-resistant interior
trim
Vinyl floor matting
Pillar mounted entrance
grab handles both sides
SRS airbags driver and
passenger

Seats (all cloth)

Driver's fully adjustable
seat with head restraint
Dual passenger seat,
folding back centre
with tray
Driver and outer
passenger retractable
diagonal seat belts, with
pre-tensioner
Centre seat lap belt

Vision

Large foldable mirrors
Interior rear view mirror
on collapsible mounting
Driver and passenger
sun visors
Deep cut side windows to
reduce blind spots
Electric windows with
driver control and lock

Heating & Ventilation

4-speed blower
Multiple cab vents

Axles

Front: Reverse Elliott
I-Beam
Rear: Banjo fully floating

Suspension

Front: Semi-elliptical alloy
steel leaf springs with
hydraulic shock absorbers

and anti-roll bar

Rear: Semi-elliptical alloy
steel leaf springs with
hydraulic shock absorbers
and anti roll bar

Steering

Recirculating ball type
with full integral hydraulic
power assistance
Tilt and telescopic
steering column

Brakes

System: ABS divided
hydraulic, Vacuum Servo
assisted with electronic
brake distribution and
anti-slip regulation
Front: 293mm ventilated
discs with asbestos-free
pads
Rear: 293mm ventilated
discs with asbestos-free
pads
Park: Mechanical drum
brake rear of transmission

Instruments

Speedometer with
odometer & trip
Rev counter
Fuel gauge
Engine coolant
temperature
Multi information display
provides information on
servicing, emissions and
fuel economy
Digital tachograph

Switches & Electrical

Steering column mounted
combination switch for
indicators, headlamps
(high beam), side and rear
fog lights
Wiper and washer
(2-speed and intermittent)
Steering wheel horn
Engine idle control
Hazard lights
Headlamp levelling
Interior light
Key operation for quick
cold start, start and stop
Engine quick warm-up
Cigarette lighter
Central locking
Reverse warning
DPD engage

Front fog lights

EVSC off
ASR off
Exhaust brake
Heater stage
Electronic vehicle speed
limiter set at 56mph
(90kph)

Warning /Indicator Lamps

Battery charge
Oil pressure
Low fuel
Glow plug operation
High beam and indicators
Parking brake on
Fuel/water separator
Check engine
DPD operation
Engine over heat
EVSC
ABS
SRS air bag
Exhaust brake operation
Front and rear fog
SVS
Seat belt
Brake system
Brake vacuum loss

Tool Kit

Jack, with a small
selection of hand tools

Radio

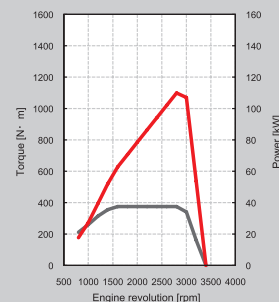
Radio/CD Player package

Storage Space

Compartment box
Centre console tray
Door pockets
Centre facia pocket
Overhead roof shelves
Storage bin (behind seats)
Card holder

Ancillaries

Starter: Reduction type 24V
- 4.0kW
Alternator: 24 V - 50 Amp
Quick Start: 4 glow plugs
on start relay
Battery: 2 x 12 V - 75 AH
(maintenance free)



The following optional items are available:

- Isuzu Branded Mats
- Aerodynamic Body Kits
- Satellite Navigation
- Reversing Aids
- PTO Switch
- Telematics

For further information
please contact your local
dealer, ring us directly on

01707 28 29 30

or visit our website

www.isuzutruck.co.uk

Isuzu Truck (UK) Ltd,
Isuzu House, 164 Great
North Road, Hatfield,
Hertfordshire AL9 5JN

ISUZU