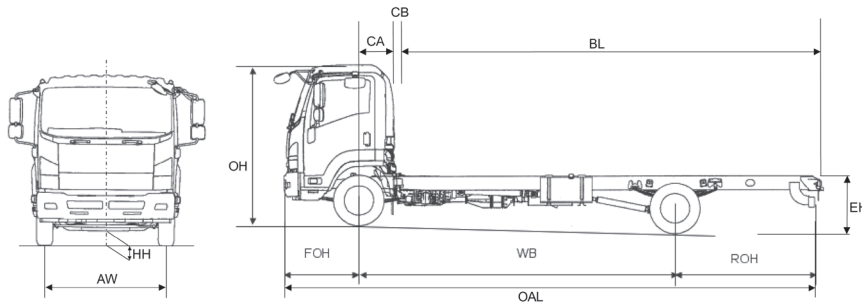


# ISUZU 'FORWARD' F120.240(E)

## 11.99T GVW

(Easyshift transmission) 4x2 rigid

EURO VI



### UK Standard vehicle plated weights (kg)

GVW	11990
GTW	15490

### UK Axle design weights (kg)

Front	4480
Rear	8480

### Weights (kg)

Cab type		day	day	day	day
Wheelbase	WB	3790	4990	4990	5320
Rear Suspension		Steel	Steel	Air	Air
Vehicle Mass Unladen	Front	2599	2669	2689	2694
	Rear	1469	1514	1559	1559
<b>Total</b>		<b>4068</b>	<b>4183</b>	<b>4248</b>	<b>4253</b>
GVW		11990	11990	11990	11990
Max. Permissible Trailer Weight		3500	3500	3500	3500
Body & Payload Allowance		7922	7807	7742	7737

### Dimensions (mm)

Overall Length	OAL	6610	8380	8380	8685
Overhang - Front	FOH	1170	1170	1170	1170
Overhang - Rear	ROH	1645	2215	2215	2195
Cab Gap	CB	150	150	150	150
C/L Front Axle to Rear of Cab	CA	556	556	556	556
Recommended Body Length	BL	5100	6800	6800	7300
Chassis Frame Width		840	840	840	840
Recommended Body Width		2550	2550	2550	2550
Recommended Maximum Body Width		2600*	2600*	2600*	2600*
Cab Width	OW	2200	2200	2200	2200
Overall Height (Unladen)	OH	2585	2585	2585	2585
Chassis Height (Unladen)	EH	785	785	785	785
Minimum Road Clearance	HH	185	185	185	185
Track - Front	AW	1805	1805	1805	1805
Track - Rear	CW	1705	1705	1705	1705
Rear Axle Width	BW	2240	2240	2240	2240

\*Max dimension for refrigerated bodies only

1. Unladen weights excludes driver, fuel, Ad Blue. Includes spare wheel + carrier (Tolerance  $\pm 3\%$ ).
2. Body lengths are given as a guide only. Bodybuilders are responsible for ensuring all legal requirements are met.
3. Maximum body lengths are calculated to remain within the maximum permitted overhang in the UK of 60% of the wheelbase. Cab gaps may vary.
4. Isuzu Truck (UK) Ltd. shall have no liability whatsoever should the information supplied have incorrect data, descriptions or illustrations.

# ISUZU 'FORWARD' F120.240(E)

## 11.99T GVW

(Easyshift transmission) 4x2 rigid

EURO VI



### Mechanical Specification (standard equipment)

#### Engine 4HK1TCH

Isuzu 2-stage turbo intercooled OHC 4 cylinder diesel (Euro VI)  
Bore: 115mm  
Stroke: 125mm  
Capacity: 5193cc  
Max Power: 177kW (240 PS) at 2600rpm  
Max Torque: 765Nm at 1600rpm  
Injection Type: Common rail  
Euro VI Compliance: EGR (Exhaust Gas Recirculation) with DPD (Diesel Particulate Diffuser) SCR Adblue and OBD

#### Fuel Tank

Capacity: 140 litres  
Ad Blue: 16 litres

#### Transmission

Electro hydraulic controlled 6-speed MZW6P with fully automated and sequential shift modes

Ratios:	1st	6.615
	2nd	4.095
	3rd	2.358
	4th	1.531
	5th	1.000
	6th	0.722
	reverse	6.615

Rear Axle Ratio: 4.555:1  
Tyres: 245/70R 19.5 radial  
Wheels: Steel 19.5 x 6.75, 8-stud

#### Cab Exterior

Aerodynamic Isuzu Hexapod design white all steel with roof outline markers  
Tilt to 45 deg.  
Keyless door entry and immobiliser  
Laminated windscreen  
Non-slip entry steps  
90 deg. opening doors  
Zinc galvanised frame structure  
2 halogen headlamp units with indicators  
Front mudguards with spray suppression  
All-steel front bumper with fog and daytime running lamps

Chrome radiator grille  
Aluminium rear bumper

#### Frame

Parallel ladder type channel section, straight side rails with rivetless upper flange

#### Cooling

Tube and fin type radiator with fan and viscous clutch  
Frame mounted fuel cooler

#### Clutch

Fluid hydrokinetic coupling with lock-up clutch

#### Cab Interior

Flame-resistant interior trim  
Vinyl floor matting  
Dual long grab handles each side  
SRS airbags driver and passenger  
Header console storage  
Interior fluorescent lighting

#### Seats (all cloth)

Driver's adjustable air-suspended seat with head restraint and 3-point seat belt with pre-tensioner  
Rigid centre seat with 2-point seatbelt  
Rigid passenger seat with head restraint and 3-point seat belt pre-tensioner

#### Vision

Large door mounted heated mirrors  
Front underview mirror and kerb mirror  
Driver and passenger sun visors  
Deep cut side windows to reduce blind spots  
Electric windows with driver control and lock with indicators

#### Heating & Ventilation

4-Speed blower  
Multiple cab vents

#### Axles

Front: Reverse Elliott I-Beam

Rear: Banjo type, fully floating

#### Suspension

Front: Multi Taper-leaf steel springs  
Rear: Multi Taper-leaf steel springs with helper, or Isuzu 4-bag if air

#### Steering

Recirculating ball type with full integral hydraulic power assistance  
Tilt and telescopic steering column

#### Brakes

System: ABS air over hydraulic, dual circuit with anti-slip regulation,  
Front: Drum 370mm x 150mm  
Rear: Drum 370mm x 150mm  
Park: Rear Wheel  
Air dryer

#### Instruments

Rev counter  
Tachograph, digital  
Siemens VDO  
Speedometer with odometer and trip  
Multi-information display provides data on servicing emissions and fuel economy  
Gauges: Fuel level, coolant temperature and air pressure  
Gear shift indicator display

#### Switches & Electrical

Electrical vehicle speed limiter set at 56mph (90kph) with automatic cruise control  
Steering column mounted switch for indicators, side lights, headlights, high beam, front and rear fog lamps  
Wiper and washer (2-speed and intermittent)  
Exhaust brake  
Brake warning buzzer  
Steering wheel horn  
Hazard lights  
Headlamp levelling  
Interior light  
Key operation for quick

cold start, start and stop  
Cigarette lighter  
Gearbox engage drive fast/slow  
Central locking  
Reverse warning  
DPD engage  
Engine idle control  
Gearbox emergency override  
Heated mirrors  
Engine quick warm-up  
ASR off  
Heater stage

#### Warning /Indicator Lamps

Battery charge  
Oil pressure  
Brake system  
Low fuel  
Glow plug operation  
High beam indicators  
Parking brake on  
Exhaust brake operation  
Fuel/water separator  
Check engine  
ABS  
SVS  
DPD operation  
OBD  
Front and rear fog  
Air pressure warning  
1st gear indicator  
Eco mode  
Engine over heat  
Adblue level  
Seat belt  
SRS air bag  
Easyshift warning

#### Tool Kit

Jack with a small selection of hand tools

#### Radio

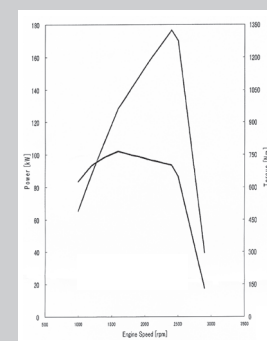
Radio with CD player

#### Storage Space

Centre seat back compartment  
Door pockets  
Twin overhead lockers  
Centre tray  
Dashboard pockets  
Card holder

#### Ancillaries

Starter: 24 V x 5.0kW  
Alternator: 24 V - 90 Amp  
Quick Start: 4 glow plugs on start relay  
Battery: 2 x 12 V - 115 AH



#### The following optional items are available:

- Isuzu Branded Mats
- Aerodynamic Body Kits
- Satellite Navigation
- Reversing Aids
- PTO Switch
- Telematics

For further information please contact your local dealer, ring us directly on

**01707 28 29 30**

or visit our website

[www.isuzutruck.co.uk](http://www.isuzutruck.co.uk)

**Isuzu Truck (UK) Ltd,**  
Isuzu House, 164 Great North Road, Hatfield, Hertfordshire AL9 5JN

**ISUZU**